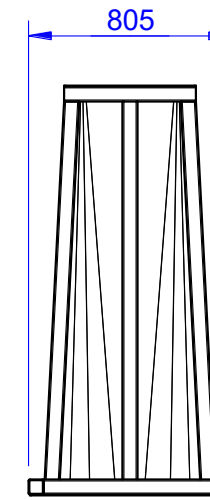
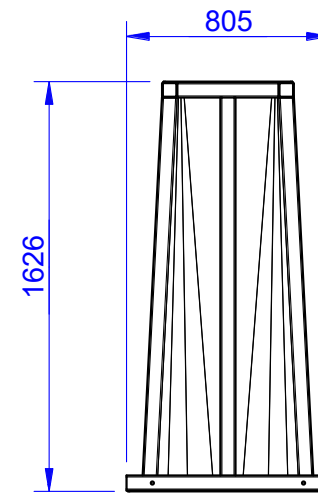
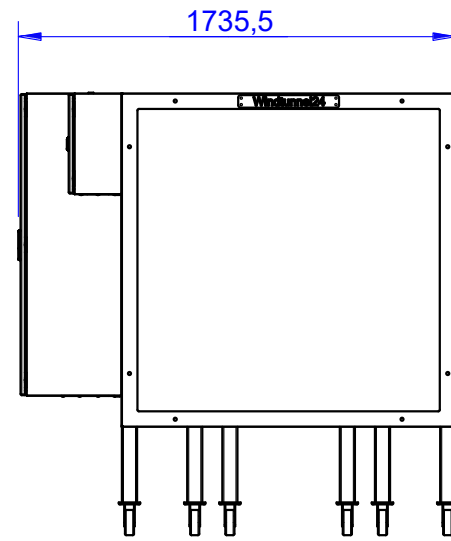
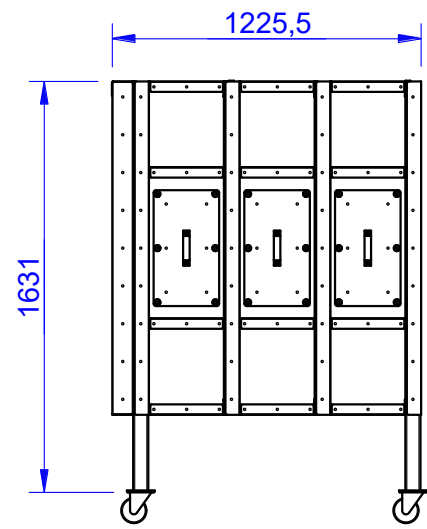


WT342 part dimensions

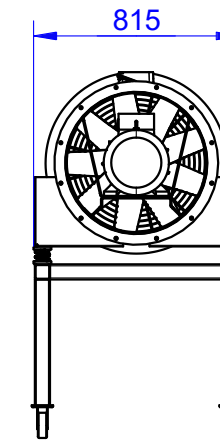
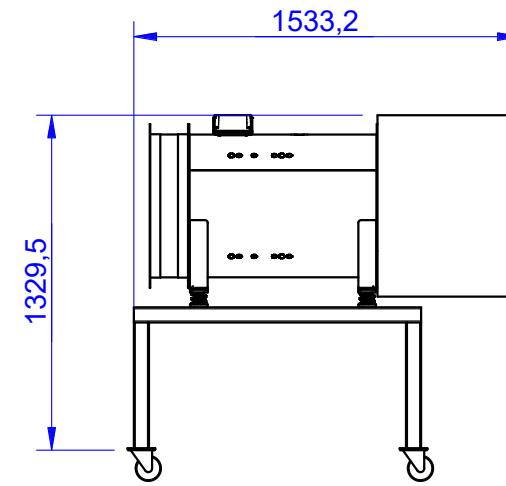
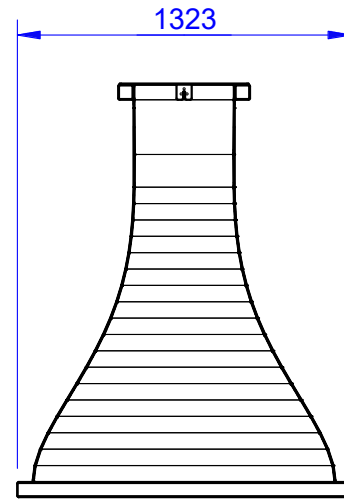
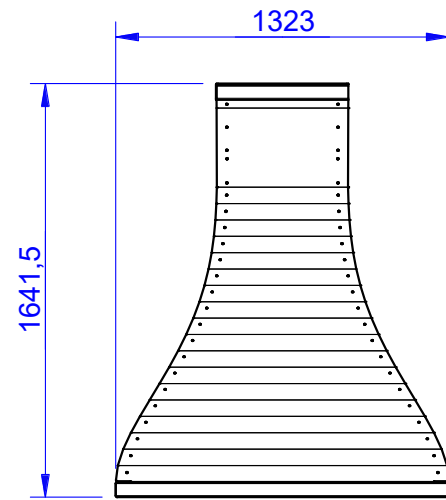
Review: C

Part 1
Settling
Power electronic
Control
(wheels dismantled)



Part 4
Diffusor
(rotated)

Part 2
Nozzle
(rotated)



Part 5
Fan
(wheels dismantled)

Part 3
Test section
(wheels dismantled)

