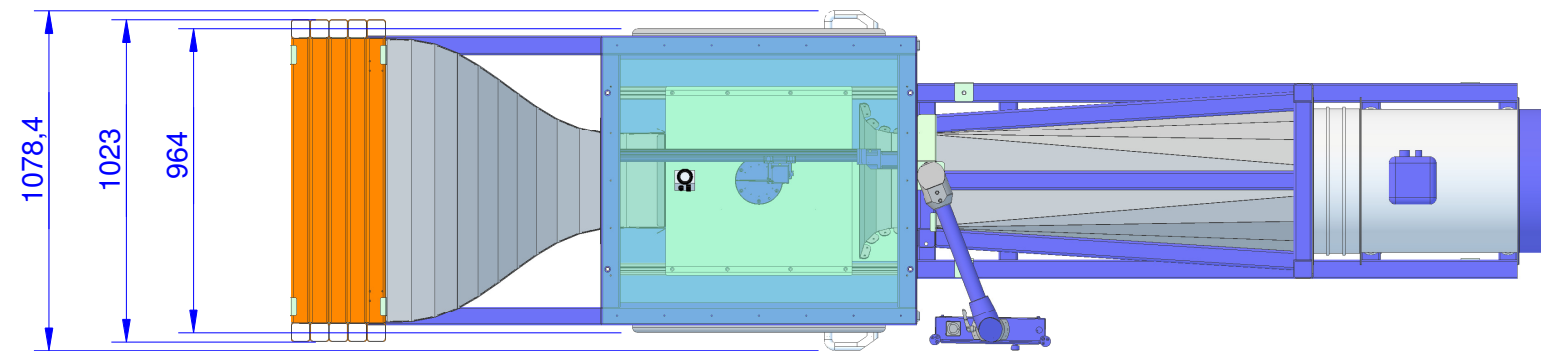
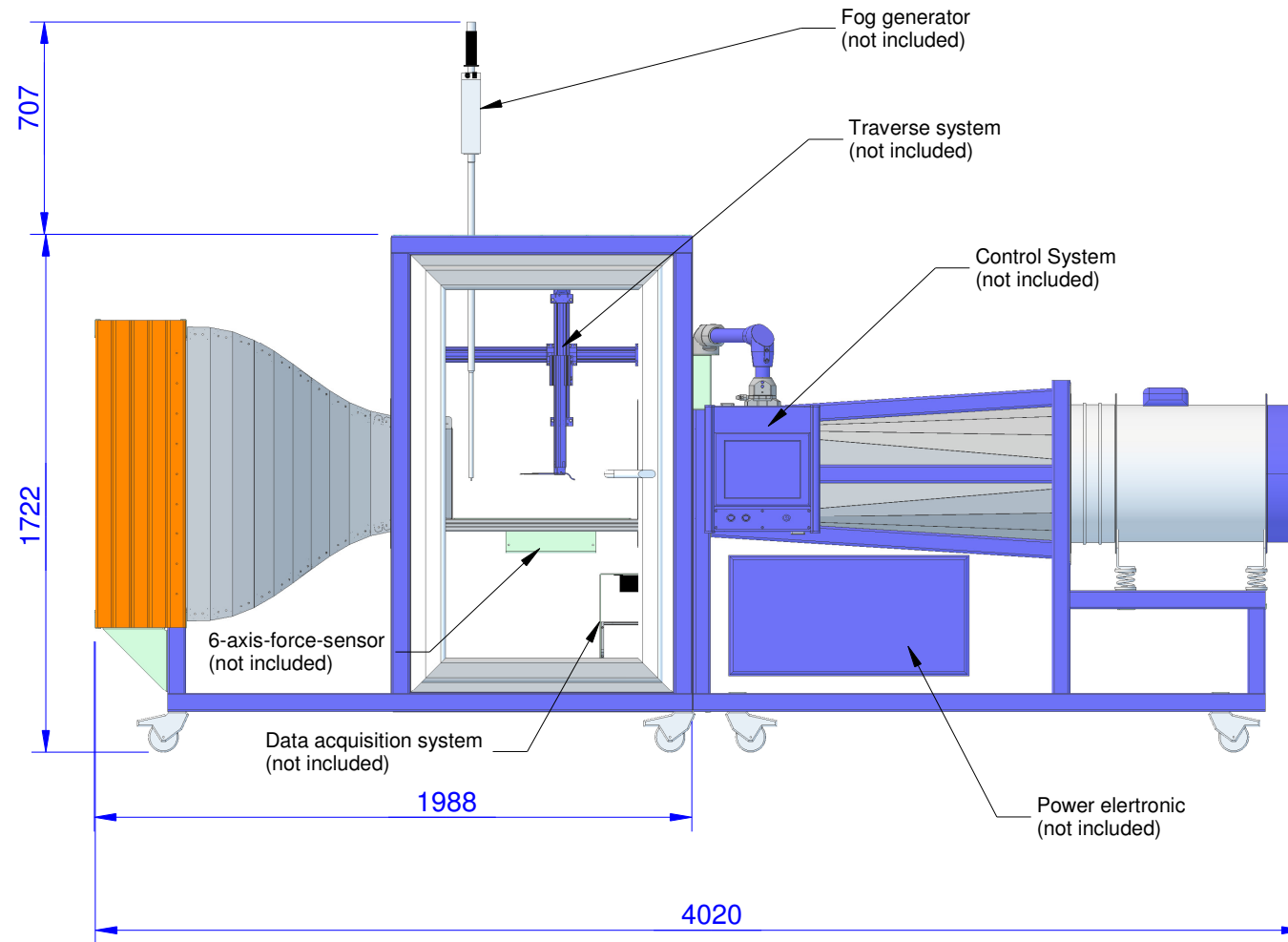
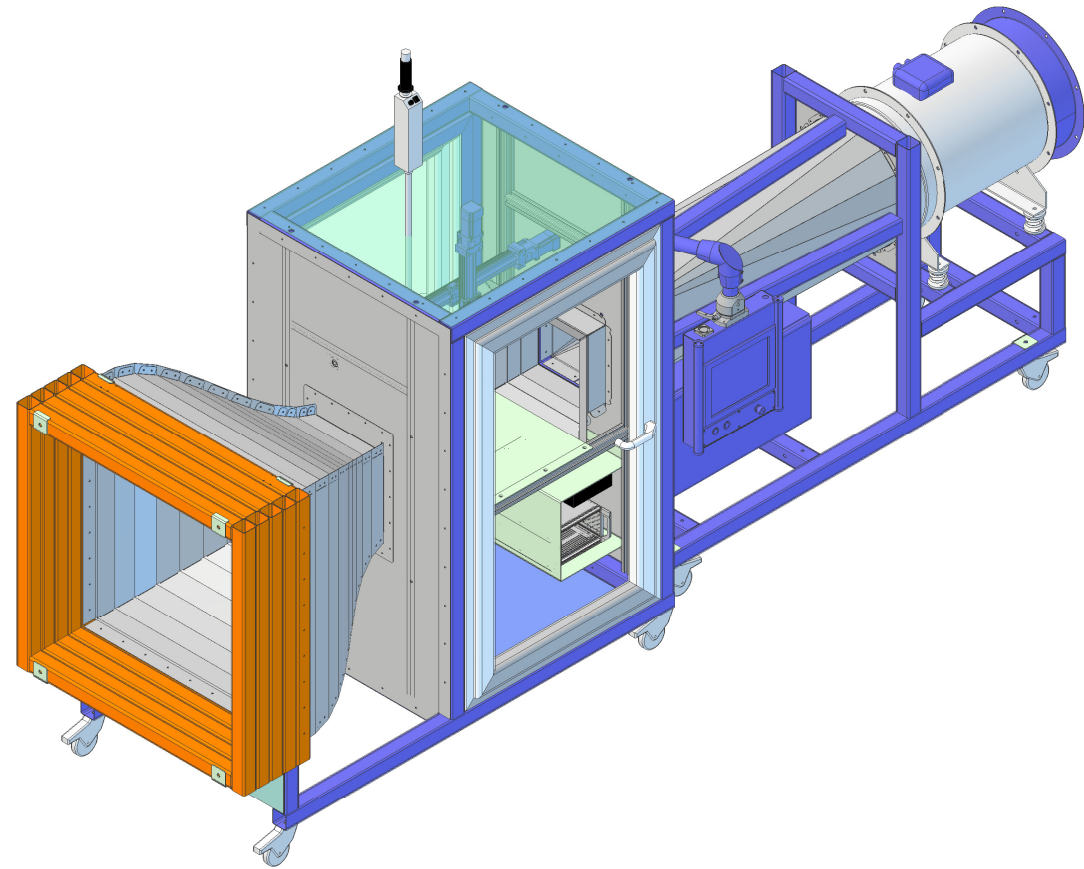


WT290

Review: A



Specifications: (Customizing on request)

Working Section		
Width	mm	300
Height	mm	300
Length	mm	600
Air Data		
Minimum Speed	m/s	5
Maximum Speed	m/s	30
Turbulence Level *	%	1
Contraction		9
Electrical Data		
Supply Voltage	V / 50Hz	400
Temperature		
Compensated Temp.	°C	+15...+30
Operating Temp.	°C	-10...+40