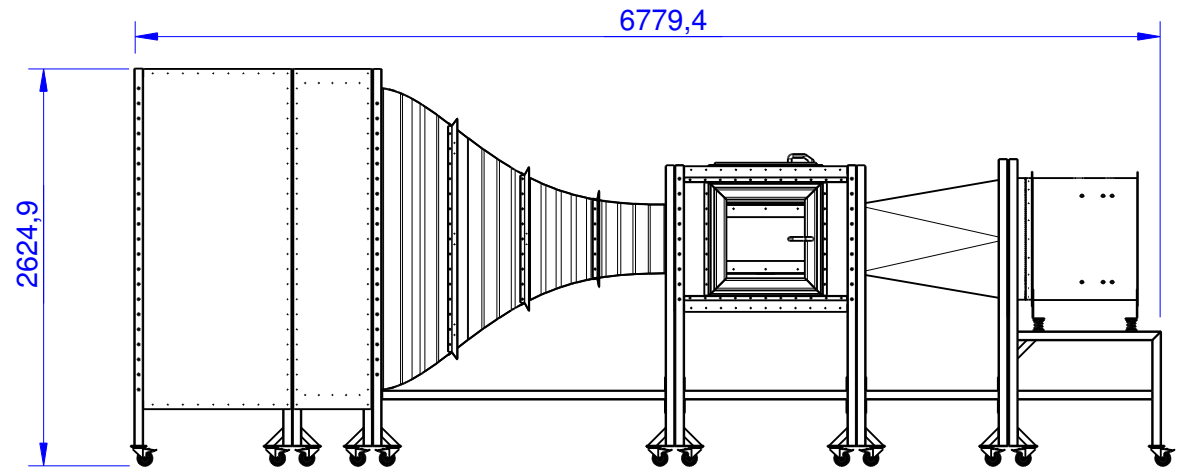
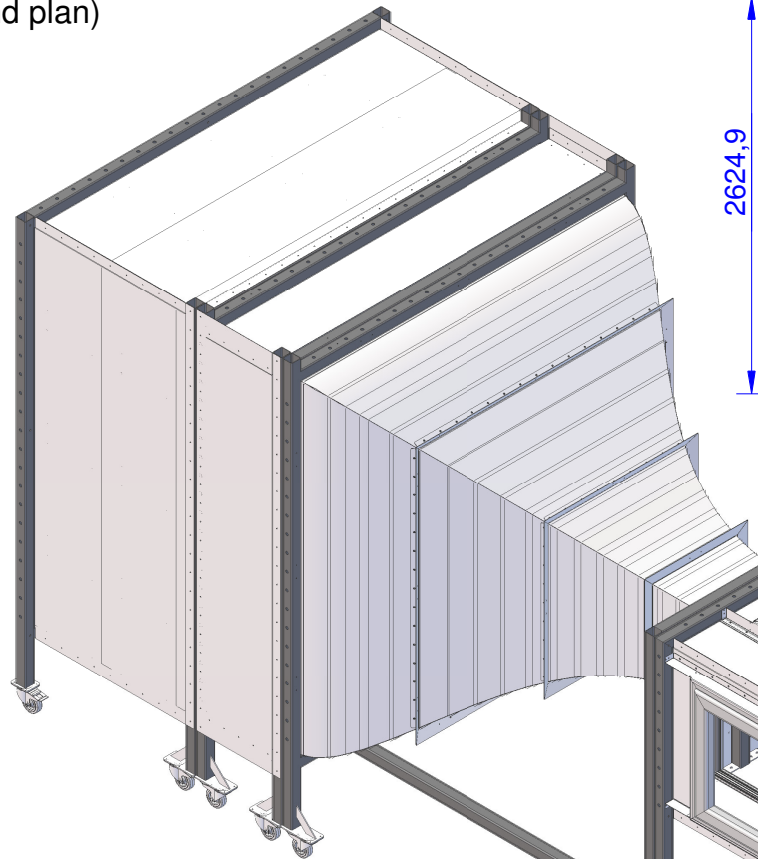


# WT222

Rev G (Ground plan)



## Specifications: (Customizing on request)

### Working Section

Width	mm	400
Height	mm	400
Length	mm	800

### Air Data

Minimum Speed	m/s	4
Maximum Speed	m/s	42
Turbulence Level *	%	0,6
Contraction		25

### Electrical Data

Supply Voltage	V / 50Hz	400
----------------	----------	-----

### Temperature

Compensated Temp.	°C	+15...+30
Operating Temp.	°C	-10...+40

**WINDTUNNEL24**  
by Baltic Windtunnel GmbH

Baltic Windtunnel GmbH  
Pappelweg 16  
18276 Lüssow oT Karow

Mail: [info@windtunnel24.com](mailto:info@windtunnel24.com)  
Phone: +49 (0) 3843-2776936  
Fax : +49 (0) 3843-218842

Internet:  
[www.windtunnel24.com](http://www.windtunnel24.com)