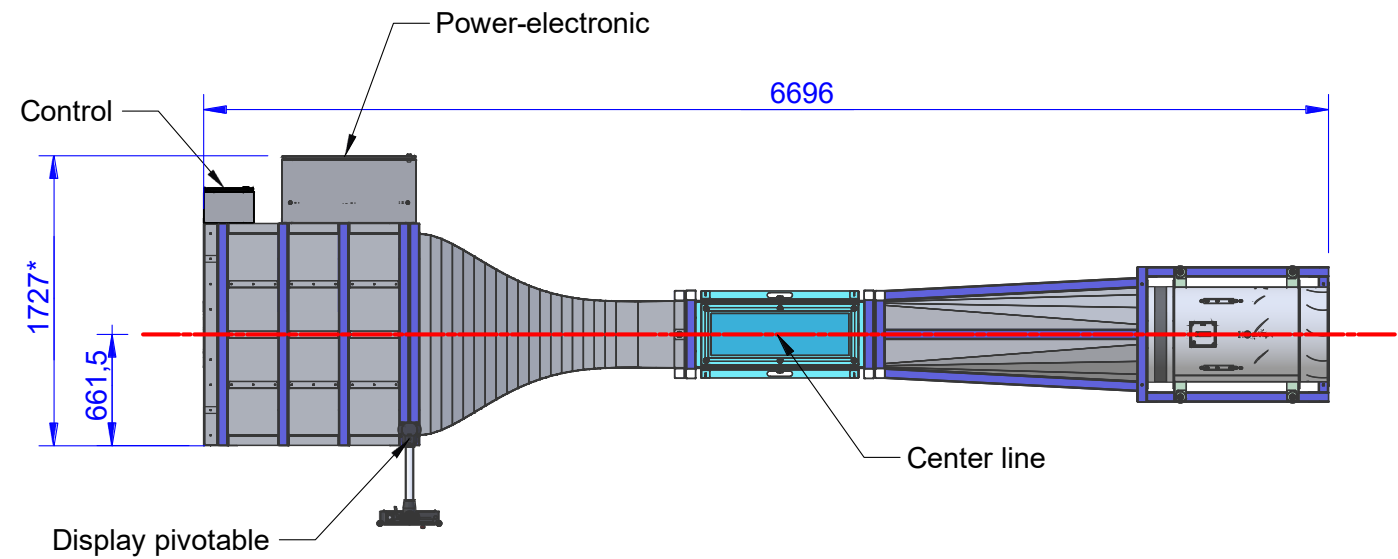
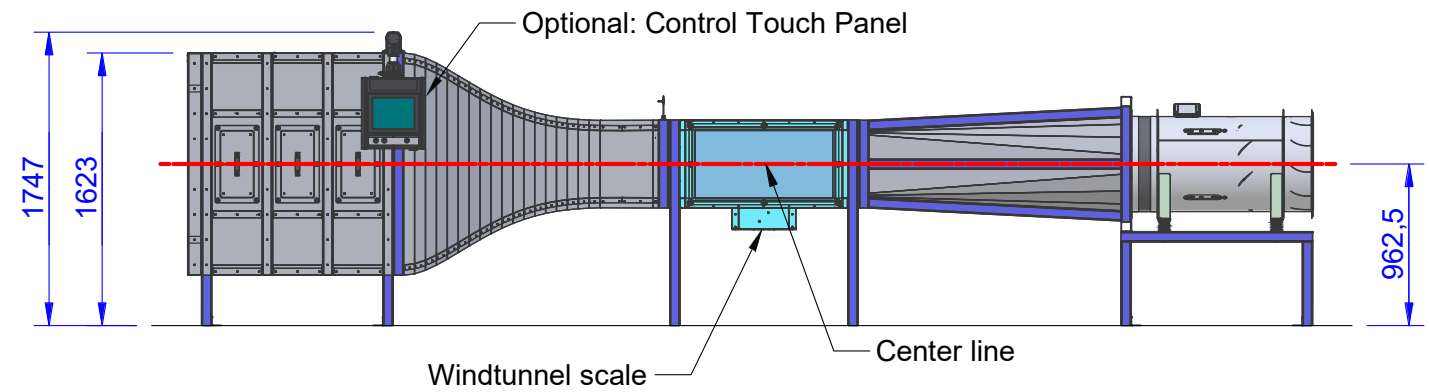
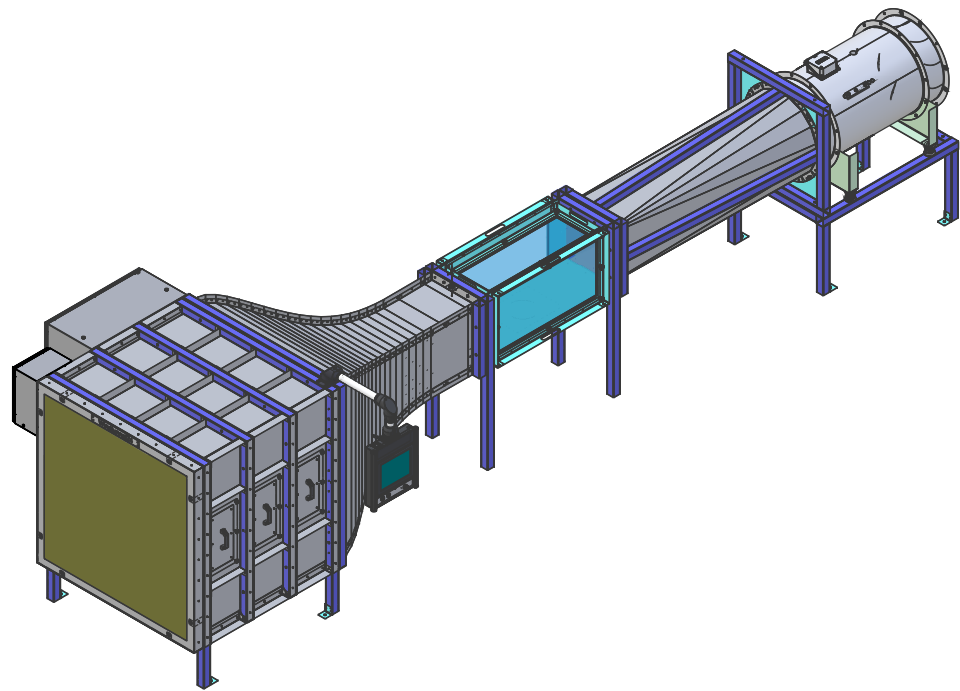


WT342

Review: B



* 2527mm installation width required

Ordernumber	Wind speed [m/s]	Current [A]	Review
WT342-10-B	2...10	4	B
WT342-20-B	2...20	8	B
WT342-30-B	3...30	16	B
WT342-40-B	4...40	32	B

Specifications: (Customizing on request)

Working Section		
Width	[mm]	400
Height	[mm]	400
Length	[mm]	1000
Air Data		
Contraction	[-]	9
Turbulence Level (at 50 % wind speed)	[%]	<0,8
Electrical Data		
Supply Voltage	[V/50Hz]	400
Temperature		
Operating Temp.	[°C]	-10...+40