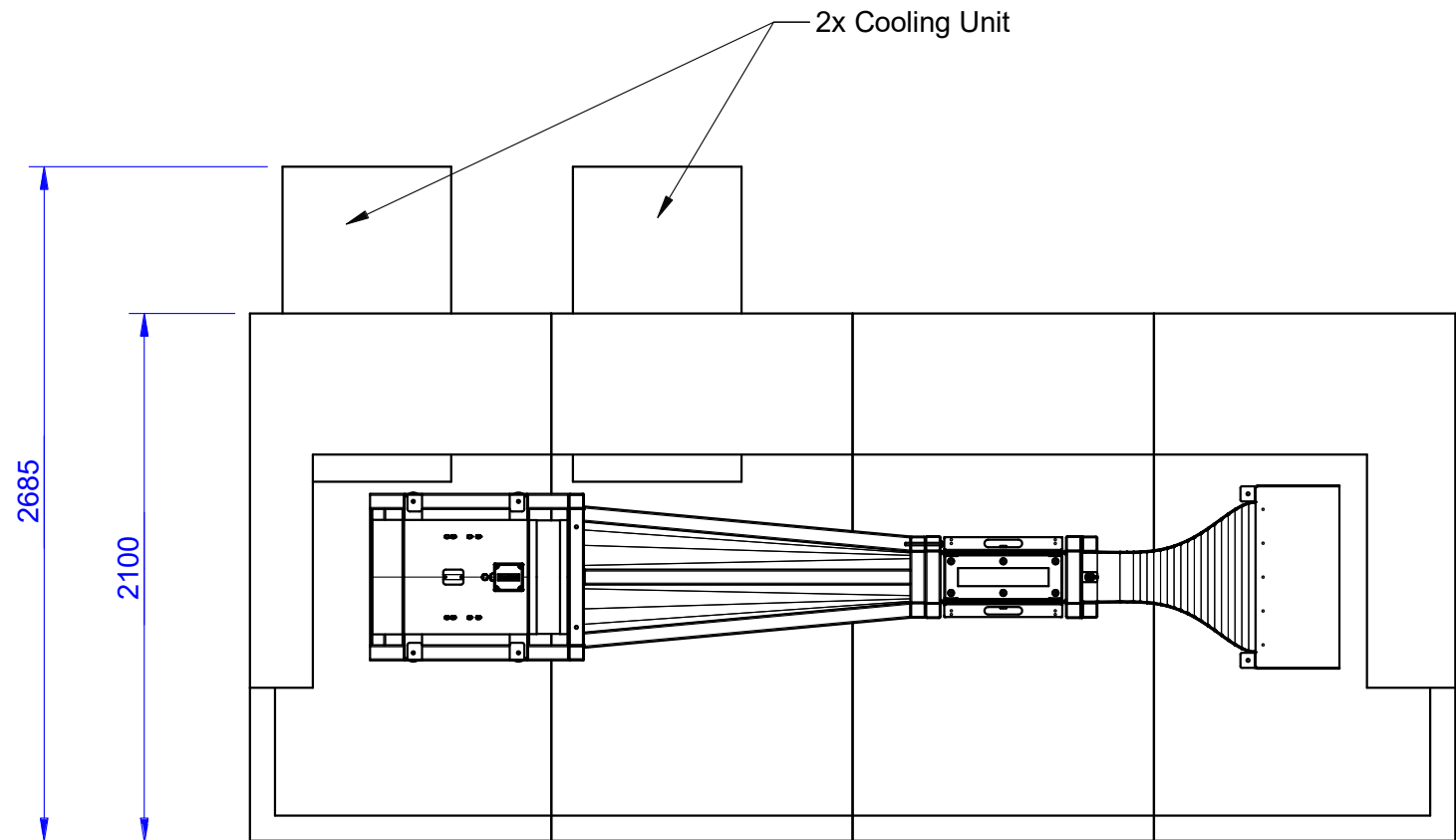
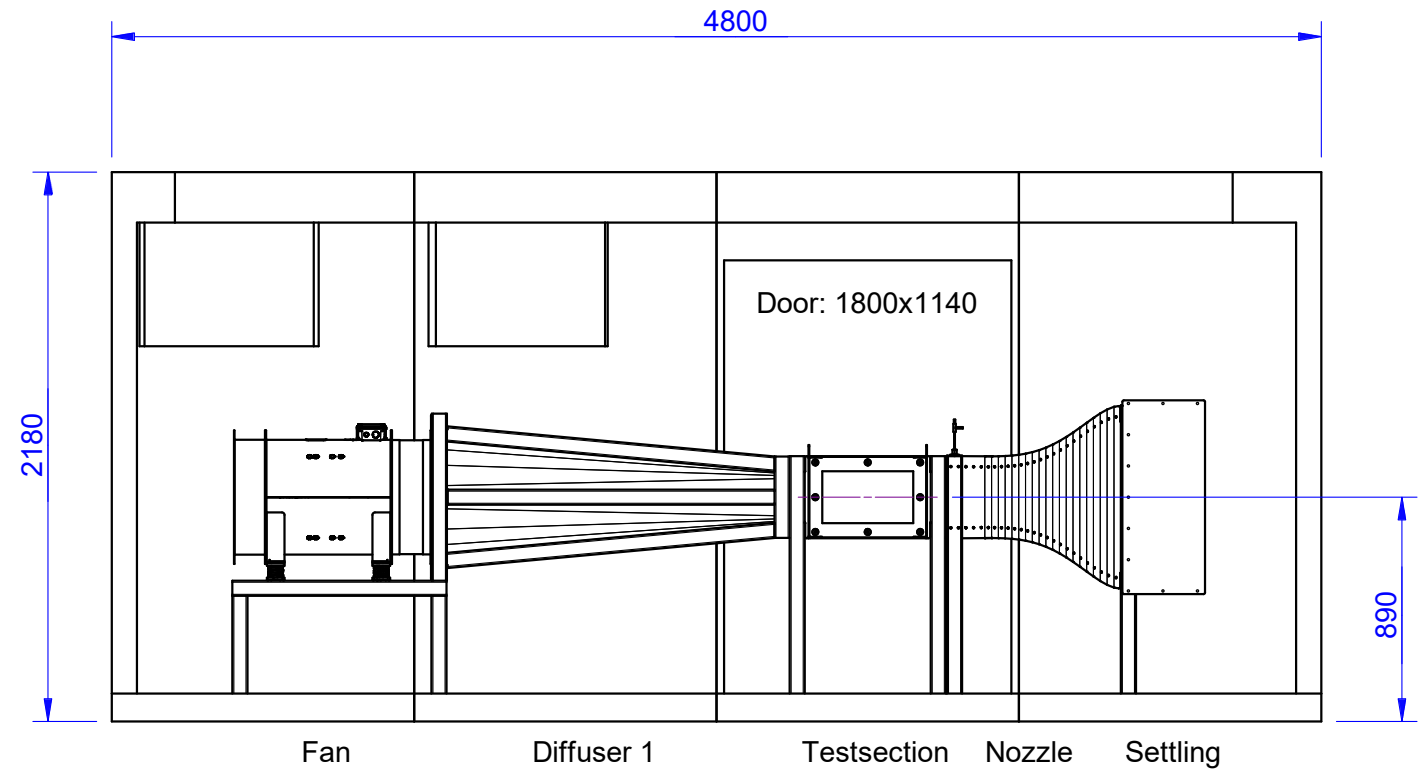
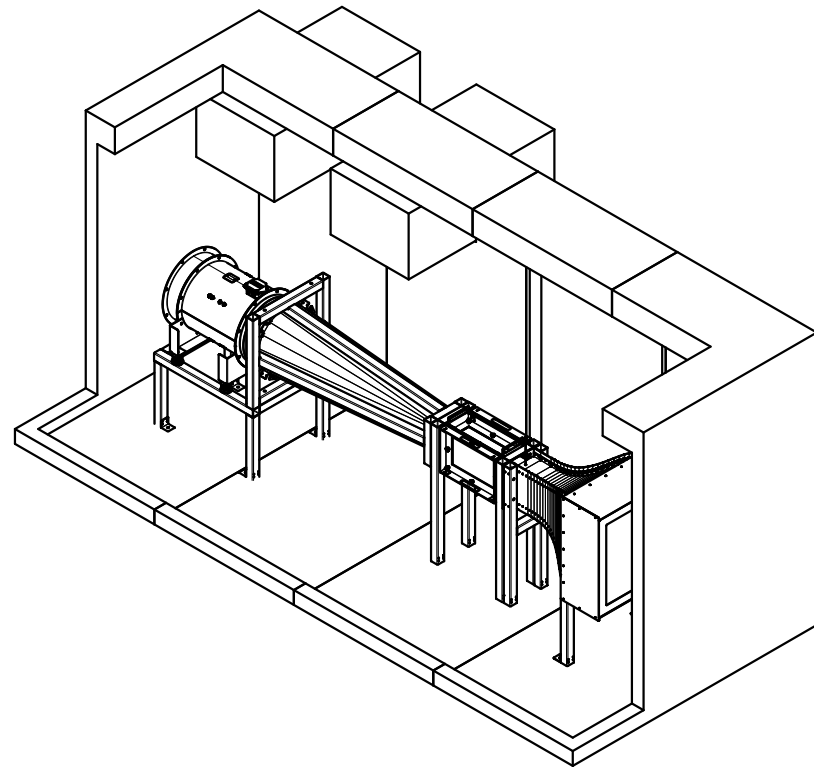


# WT341E

Review: A



Ordernumber	Wind speed [m/s]	Current [A]*	Review
WT341E-10-A	2...10	0,5	A
WT341E-20-A	2...20	1,0	A
WT341E-30-A	3...30	2,0	A
WT341E-40-A	4...40	3,5	A
WT341E-50-A	5...50	6	A

\*without Cooling Unit

## Specifications: (Customizing on request)

<b>Working Section</b>		
Width	[mm]	200
Height	[mm]	200
Length	[mm]	500
<b>Air Data</b>		
Contraction	[-]	9
Turbulence Level (at 50 % wind speed)	[%]	0,5
<b>Electrical Data</b>		
Supply Voltage	[V/50Hz]	400
<b>Temperature</b>		
Operating Temp.	[°C]	-25...+40