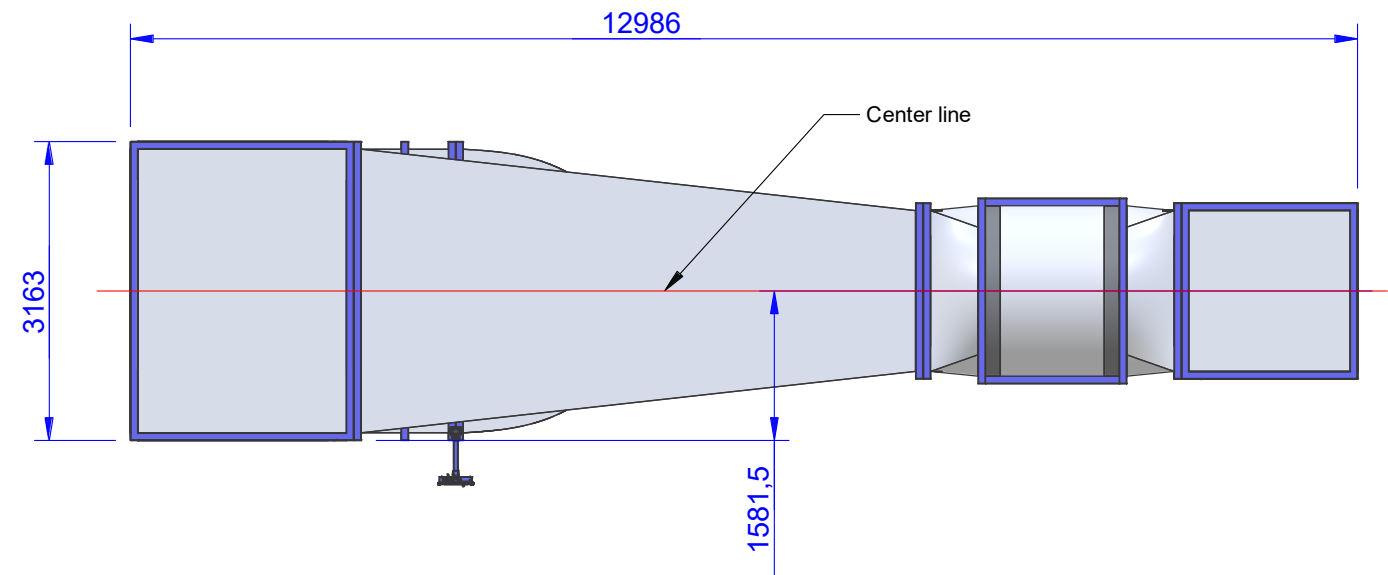
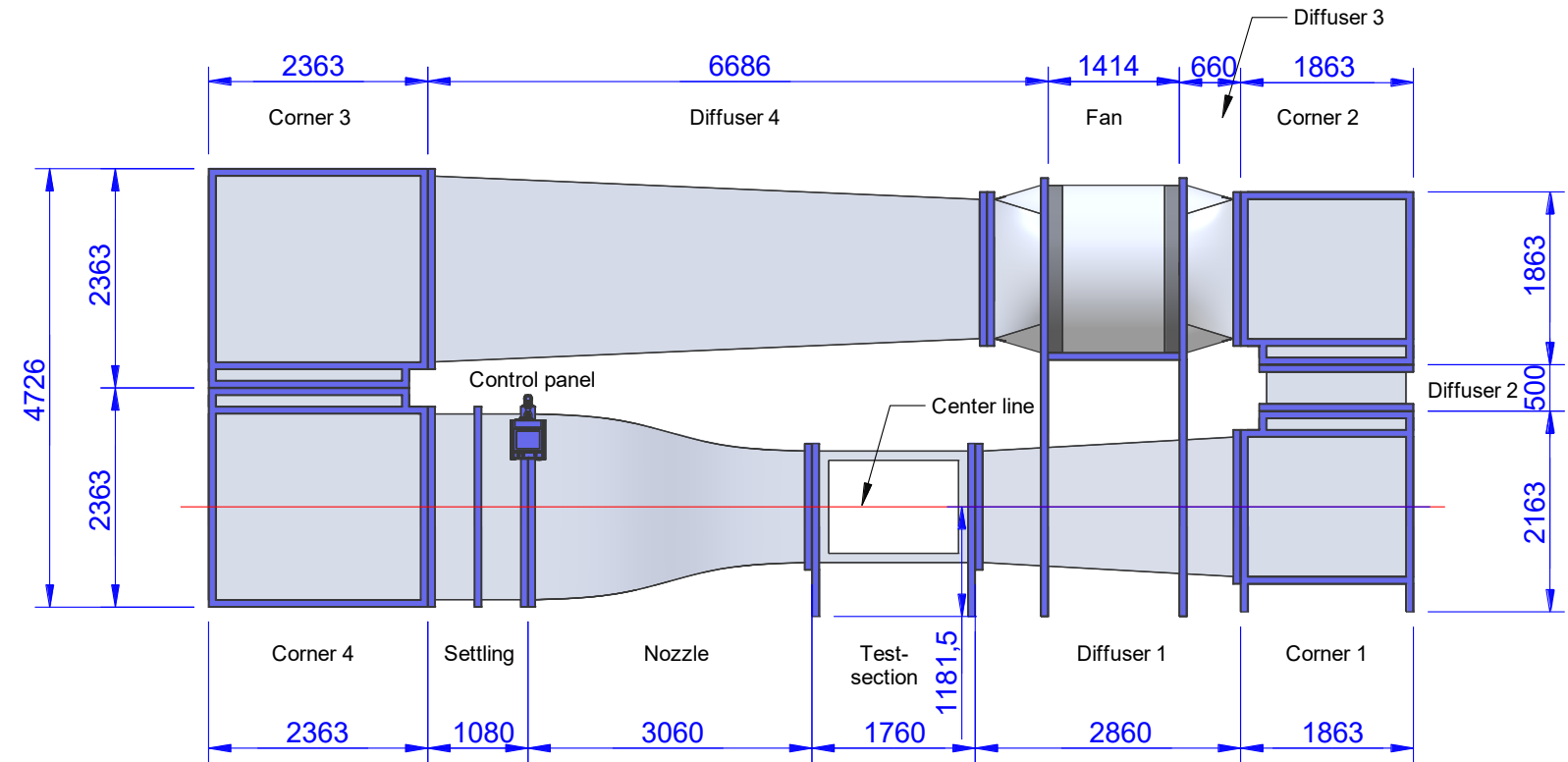
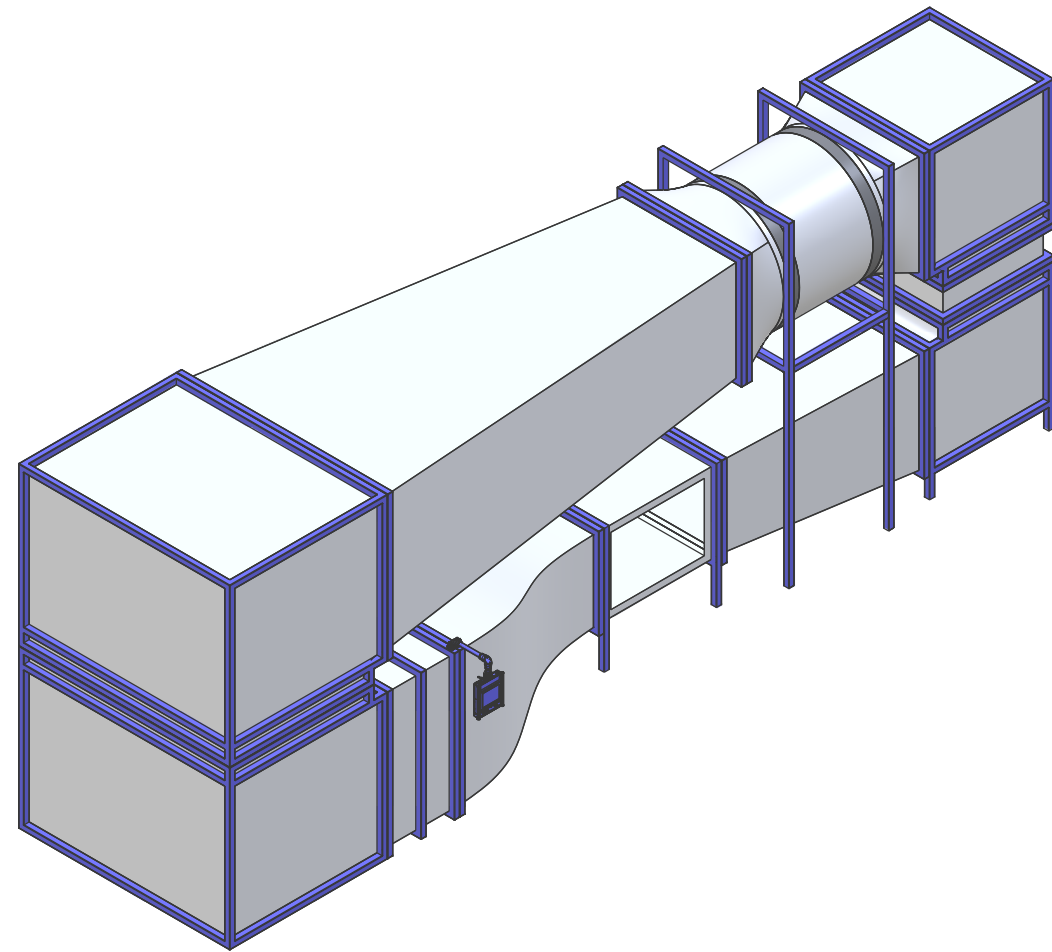


WT336 Groundplan

Review: A



Ordernumber	Wind speed [m/s]	Current [A]	Review
WT336-10-A	2...10	16	A
WT336-20-A	2...20	32	A
WT336-30-A	3...30	63	A
WT336-40-A	4...40	125	A

Specifications: (Customizing on request)

Working Section		
Width	[mm]	1200
Height	[mm]	1200
Length	[mm]	1600
Air Data		
Contraction	[-]	4,1
Turbulence Level (at 50 % wind speed)	[%]	1
Electrical Data		
Supply Voltage	[V/50Hz]	400
Temperature		
Operating Temp.	[°C]	-10...+40